

### SPECIFICATIONS

#### LIST OF COMPONENTS

A WOOD CAP	
DESCRIPTION OF MATERIAL:	Wood
COLOR:	Wood
B OVER MOULED	
DESCRIPTION OF MATERIAL:	Foamed blend of polyolefines*
COLOR:	Beige

### DIMENSIONS (mm)

MODEL	D <sub>H</sub>	H <sub>H</sub>	D <sub>L</sub>	H <sub>L</sub>
34x13	34,00	13,00	22,00	21,80

Tolerances ± 0,5 mm

### CUSTOMIZATION

Tolerances ± 0,5 mm

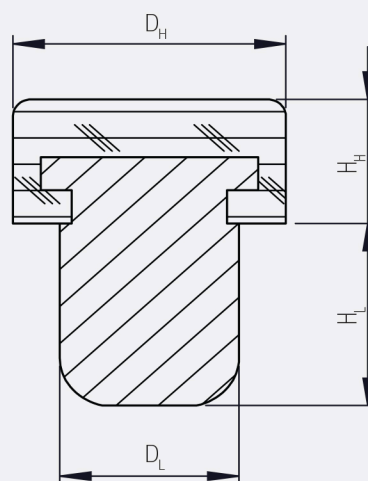
### APPROVED LOGO

### ASSEMBLED PRODUCT



1:1

Co-injected with an automatic precision system



\*All Tapi® Spa products are food contact certified and have been tested to ensure they are of the highest technological and quality standards. | Declaration of Conformity: All materials used by Tapi® for the product described in this Technical sheet is in conformity with all applicable EU regulations and directives and all FDA requirements. All new and updated certifications are available for viewing at Tapi® Spa Headquarters in Massanzago.

**WARNING:** For non-food products such as cosmetics and/or fragrance oils, the Tapi® Technical Department will only guarantee performance after receiving the specific cosmetic or oil to be tested in the Tapi laboratories: a new special version of the product may be necessary for individual compatibility.

<b>Tapi</b>	<b>FINAL PRODUCT TECHNICAL SPECIFICATION</b>	<b>FAMILY</b>	TWC
LOGO		<b>DATE</b>	11/09/2020
PRODUCT DESCRIPTION	<b>29x13/19,5</b>	<b>PROJECT NUMBER</b>	

PRODUCT DRAWING		PACKAGING SYSTEM (MAXIMUM DIMENSIONS)	
<p>Scale 1:1</p>			
<p>LIQUID BOTTLED:</p>		<p><b>APPROXIMATE WEIGHT (g):</b> 7.41</p>	
<p>DIMENSION: mm</p>		<p><b>DESIGNER: epellizzato</b></p>	
		<p><b>APPROXIMATE WEIGHT PER BOX (KG):</b> 9</p> <p><b>DIMENSIONS:</b> cm</p> <p><b>TOLERANCES:</b> ± 5.0 cm</p>	
		<p><b>STOPPER PER BOX:</b> 1250</p> <p><b>BOXES PER LAYER:</b> 10</p> <p><b>LAYERS PER PALLET:</b> 6</p> <p><b>BOXES PER PALLET:</b> 60</p>	
<b>WAREHOUSE:</b>			
<p><b>Type of warehouse:</b> Closed and protected against dust and moisture.</p> <p><b>Temperature:</b> 20° - 28° C</p> <p><b>Max suggested time in warehouse:</b> - 6 months for cork - 6 months for micro-agglomerate - 12 months for synthetic</p>			
<p><b>NOTE:</b> The stoppers must be packed in a sealed polythene bag, placed inside a corrugated cardboard box, with supplier identification, product type, part number, date of manufacture, lot, content and maximum stowage. The quantity of product per box may vary ± 10%.</p>			
<p><b>RECOMMENDATIONS:</b> Keep product boxes on pallets. Do not leave the goods exposed to sun or moisture. Once the bag is opened, it is suggested that the product be depleted, or sealed again.</p>			

Nr	List of components	Material	Color	Customization	Finishing
1	Co-Injected Synthetic Insert	Foamed blend of polyolefines (1004)	Beige		
2	Wooden Head	Beech	Natural		

THE CUSTOMER APPROVES TO START THE PRODUCTION:

(Customer's signature, Date)